

FRONT MOWERS

DISC F ALP

DISC F ALP are lightweight front mowers with an adapted linkage designed for mountain tractors.

Direct drive to the first disc via a PTO shaft, angle drive and universal joint

CSS (collision safety system)

Three point linkage Cat. I & II with CSS (collision safety system)

Hydraulic shift of mower (optional)

DDSS (disc drive safety system)



Direct drive to the first disc via a PTO shaft, angle drive and universal joint.



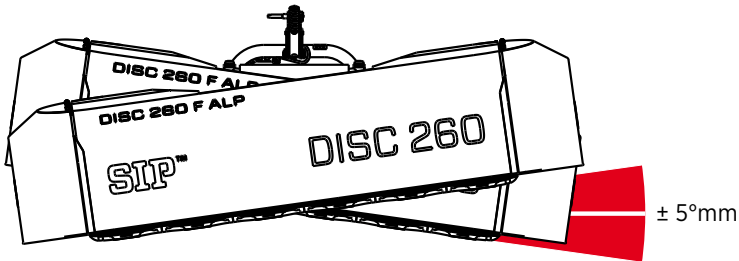
Universal three point linkage for different types of mountain tractors.



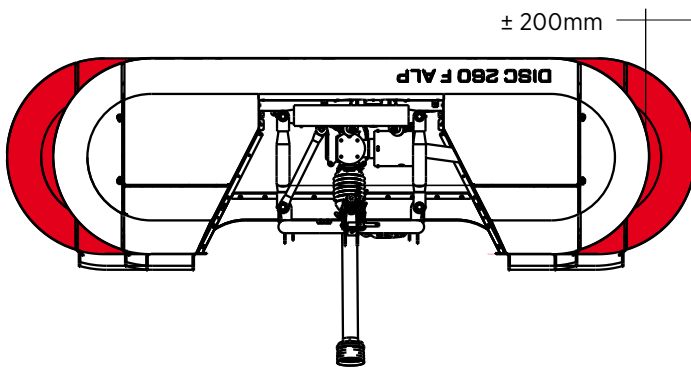
CSS (collision safety system)



The specific construction of the mower with the center of gravity as close to the tractor as possible. The cutter bar is on both sides reinforced with the heel to reduce possibility of damage to the bearings of the cutter bar.



Direct drive via PTO shaft, friction clutch and double universal joint to the first left disc of the cutter bar. This way safe start on the sloping terrain is ensured and the possibility of damage to the drive components is reduced.



Hydraulic system (optional) shift mowers 200mm left or right, allowing us to ensure mowed grass to cut between the wheels of the tractor even when working on slopes. Pivoting adjustment on mower is 8 °.



Hydraulic side-shift of 200mm left and right (optional) improves operation on extreme slopes (as well as on flatland) by adjusting the flow of the cut grass.

DISC F ALP front mower is lightweight yet robust. It is perfectly adapted for work on sloped and uneven terrain and even on mountainous terrain.

The centre of gravity is as close to the tractor as possible which ensures enough pressure on the mowing surface and allows for a clean cut. That is why even the most demanding terrain will not present a problem.



2 year warranty

Years of testing, 100% quality controlled, robust design and reliable suppliers.



QCS - Quick change system

Simple and time saving system for changing blades on the field.



DDSS - Disc drive safety system

The most reliable and simple system for the cutter bar protection on the market.



CSS - Collision safety system

Kinematic system of protection in case of collision.



SIP Patent

Clever, innovative, thought-through innovations, which are the main advantage on the field.



DUAL SPRING

DUAL SPRING mechanical suspension ensures a better cut and clean high quality forage.



Light weight

Clever design, special materials and thoughtful drives make the machine easier to run and perform



Energy Efficiency

More work done with less power consumption.



ALPINE DISC MOWERS

DISC ALP

Daily work on the grass fields requires reliable machinery. Our light and durable disc mowers specially designed for safe work on sloped terrains ensure a precise cut and clean high quality forage. Perfect stability, quick adaptability and easy maintenance are their main attributes.

DISC ALP TECHNOLOGIES CUTTER BAR

While mowing it is important to get the cut grass behind the cutter bar as fast as possible so the forage flow is not obstructed. For this reason we have designed the cutter bar with specially shaped discs which ensure a **fast and efficient forage flow** over the cutter bar even on sloped terrain.

1 The **specially shaped disc**, made of HARDOX wear resistant steel 4 mm thick, ensures excellent forage flow.

2 The cutter bar is protected against an overload by the DDSS system (disc drive safety system). The system comprises of an **intermedia flange** with four shear pins, which break in case of an overload to prevent damage to the rest of the pinions. This design allows the pins to be changed quickly and easily so as little time as possible is wasted.

3 The disc drive shaft is **rigidly mounted** to the cutter bar **via a double closed bearing** enabling it to withstand larger loads. Long life span of the cutter bar is ensured.

4 The spring of the QCS allows the blade to retract upon impact with an obstacle. Blade holders can be individually replaced.

5 To reduce the amount of impurities in the fodder the surface area of the skids must be as large as possible. For this purpose we use a specially designed **wear-resistant cold pressed HARDOX skids** to ensure the **optimum contact surface** between the skids and the terrain.



QCS (quick change system)



Welded cutter bar

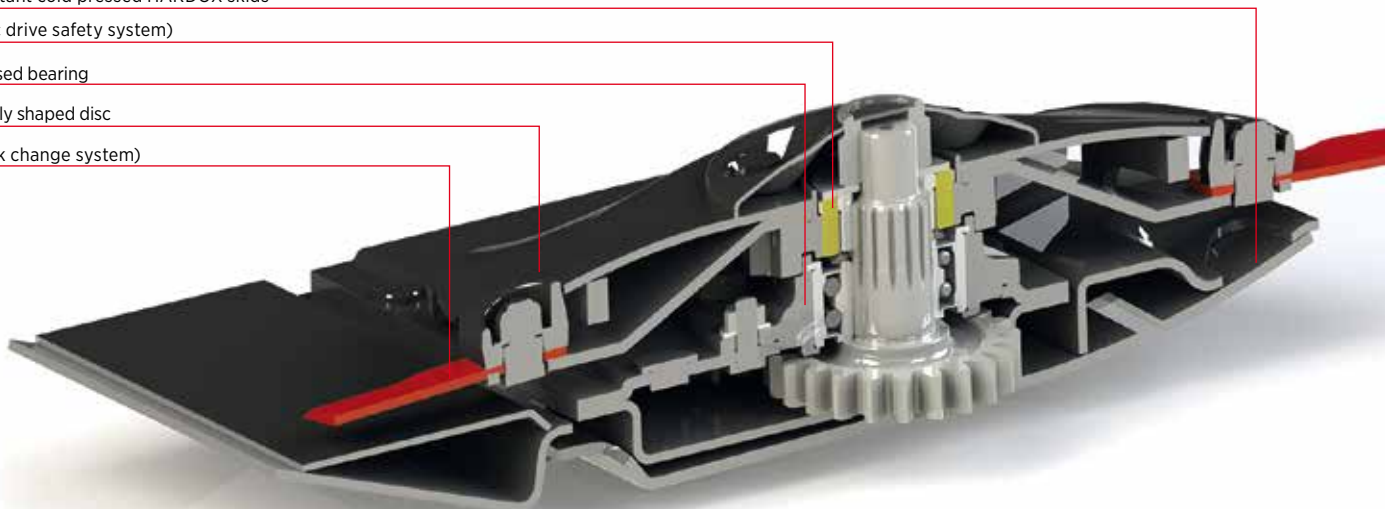
Wear-resistant cold pressed HARDOX skids

DDSS (disc drive safety system)

Double closed bearing

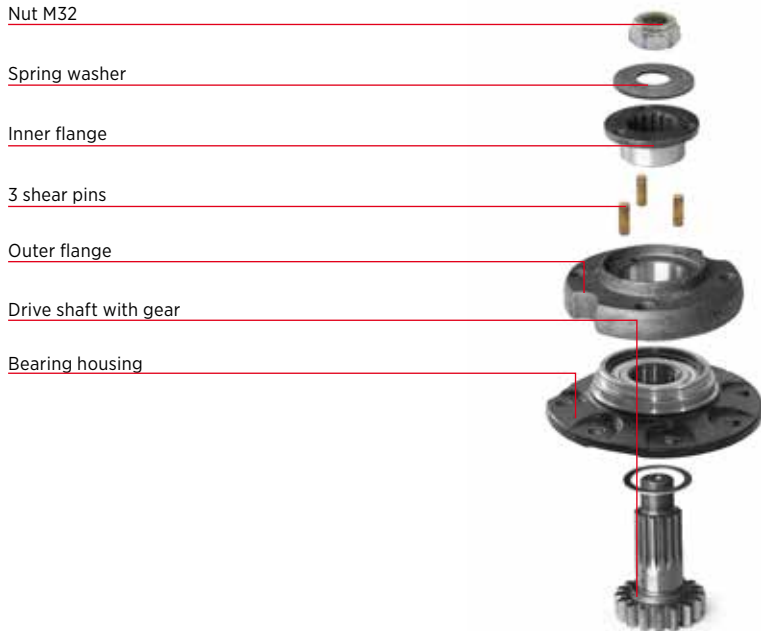
The specially shaped disc

QCS (Quick change system)



DISC DRIVE SAFETY SYSTEM - DDSS

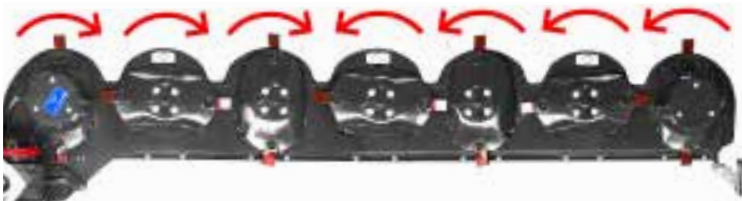
In year 2007 SIP developed a new generation of cutter bar, in which the DDSS was incorporated for the first time. Since then no warranty claim has been filed regarding the cutter bar.



3 brass pins ensure unimpeded work in case of a disc overloaded. Shearing of the brass pins absorbs the force and leaves the cutter bar intact.

DDSS - Disc drive safety system

DISC ROTATION TOWARDS THE CENTRE

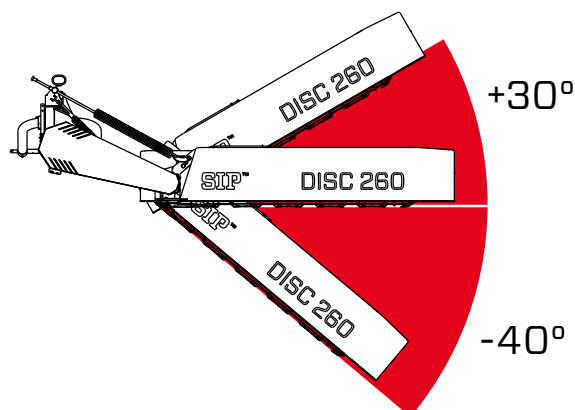


Towards centre
Enables a narrower swath for coping with extremely sloped terrains.

Disc rotation **towards the centre** is the optimal solution for mowing downhill on **extremely sloping terrain** and for providing narrower swaths.

ADAPTATION TO THE TERRAIN

Consistent adaptation to the terrain provides even cut and clean forage. The field is evenly mown leaving grass structure undamaged.



The maximum angle of adaptation to the terrain is -40° and +30°.

TECHNICAL DATA	220 F ALP	260 F ALP	300 F ALP
Working width (m)	2,16	2,60	3,00
Number of discs	5	6	7
Number of blades	10	12	14
Blade dimensions (mm)	110x48x4		
Disc rotation speed (rpm)	3185		
PTO rotation speed (rpm)	540/1000		
Weight (kg)	415	460	495
Required tractor power (kW/HP)	30/40	38/50	45/60
Capacity (ha/h)	2,50	3,00	3,50
Cutting height (mm)	40-70		
Swath width (m)	0,90-1,20	0,90-1,50	0,90-1,70
Disc rotation	towards centre		
Transport width (m)	2,10	2,53	3,00

EQUIPMENT

Attachment	Front 3-point linkage Cat. I & II		
Drive	Angle drive, PTO shaft and double universal joint		
Collision safety system	S		
Suspension	mechanical		
PTO shaft	Friction safety clutch and free wheel clutch		
QCS (quick change system) with QCS tool	S		
Spare blades	S		
Shear safety pins	S		
Foldable protective curtains against flying debris (CE Norm)	S		
Wear skids	+		
Additional swath cone	-	+	+
Additional swath cone with a coil	-	+	+
Extended lower coupling pins (for higher elevation of mower)	+		
Quick A Frame linkage	+		
Mechanical load relief (springs)	+		
Hydraulic side shift +/-200 mm	+		
Road safety equipment	+		
Full LED Lighting equipment	+		
Walterscheid PTO shaft - AEBI, REFORM	+		
Hydraulic side protection folding	+		



STANDARD EQUIPMENT



ADDITIONAL EQUIPMENT



NOT AVAILABLE